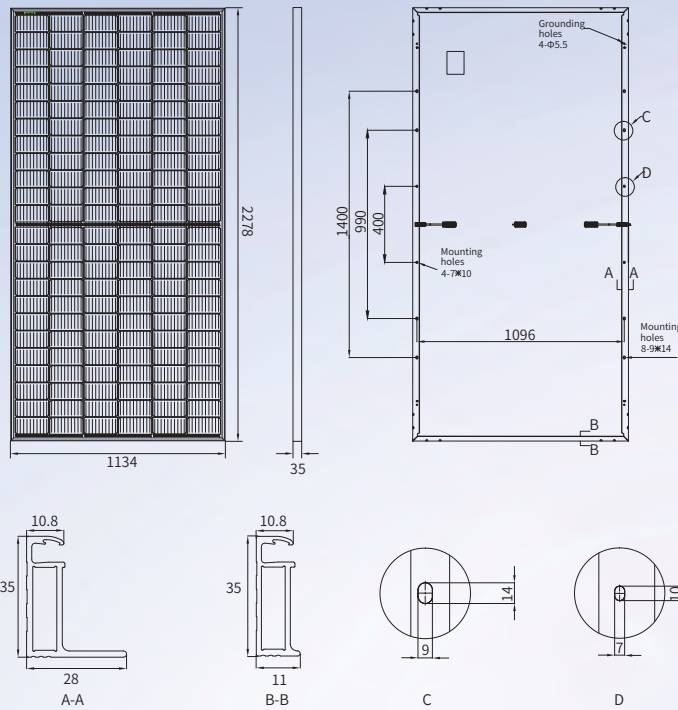


High power PERC solar module

JNMM144-535~555(L)

ENGINEERING DRAWING



MECHANICAL PARAMETERS

Cell (mm)	182*91 PERC
Dimensions (L*W*H) (mm)	2278*1134*35
Weight (kg)	27.2
Cable Cross Section Size (mm ²)	4
No. of Cells & Connections	144(6*24)
No. of Diodes	3
Frame	Anodized Aluminium Alloy
Glass Thickness (mm)	3.2

QUALIFICATION

Temperature Cycling Range (°C)	-40~+85
Max. Series Fuse Rating (A)	25
Max.Wind Load/Max.Snow Load (Pa)	2400/5400
Hot Spot Rate	100% Free
Fire Rating	Class C
Junction Box & Connector Protection Grade	IP68

TEMPERATURE COEFFICIENTS

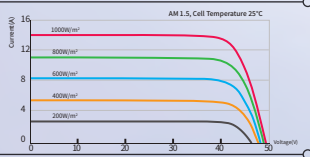
Nominal Module Operating Temperature (NMOT)	43±2°C
Temperature Coefficient Voltage (Voc)	-0.29 %/°C
Temperature Coefficient Current (Isc)	0.04 %/°C
Temperature Coefficient Power (Pm)	-0.34 %/°C

ELECTRICAL PARAMETERS

Module Type	(1000V DC)	JNMM144-535L	JNMM144-540L	JNMM144-545L	JNMM144-550L	JNMM144-555L
	(1500V DC)	JNMM144-535	JNMM144-540	JNMM144-545	JNMM144-550	JNMM144-555
STC AM1.5 1000W/m ² Cell Temperature 25°C	Max. Power at STC (Pmpp/W)	535	540	545	550	555
	Output Tolerance (W)	0+5	0+5	0+5	0+5	0+5
	Max. Power Voltage (Vmp/V)	41.28	41.54	41.76	41.98	42.20
	Max. Power Current (Imp/A)	12.97	13.00	13.06	13.12	13.17
	Open Circuit Voltage (Voc/V)	49.12	49.43	49.70	49.97	50.24
	Short Circuit Current (Isc/A)	13.79	13.83	13.88	13.93	13.98
NMOT AM1.5 800W/m ² Ambient Temperature 20°C Wind Speed 1m/s	Max. Power (Pmpp/W)	404.7	408.5	412.3	416.1	419.8
	Max. Power Voltage (Vmp/V)	39.01	39.28	39.46	39.64	39.85
	Max. Power Current (Imp/A)	10.38	10.40	10.45	10.50	10.54
	Open Circuit Voltage (Voc/V)	46.37	46.67	46.92	47.17	47.43
	Short Circuit Current (Isc/A)	11.10	11.13	11.18	11.22	11.26

*Measurement tolerance: Pmax:±3%, Voc:±3%, Isc: ±5%.

I-V CURVE (545W)



PACKING CONFIGURATION

Pieces Per Pallet	31
Pallets Per Container	20
Pieces Per Container	620

Default

Optional

Connector Type	<input type="checkbox"/> MC4 Compatible	<input type="checkbox"/> MC4
Cable Length	<input type="checkbox"/> 400mm/300mm	<input type="checkbox"/> Customized
Frame Color	<input type="checkbox"/> Silver	<input type="checkbox"/> Black
Max. System Voltage	<input type="checkbox"/> 1500V	<input type="checkbox"/> 1000V



TUV: IEC/EN 61215, IEC/EN 61730
 GB/T 19001-2016/ ISO 9001:2015
 GB/T 24001-2016/ ISO 14001:2015
 GB/T 45001-2020/ ISO 45001:2018
 CNAS-CL01: ISO/IEC 17025:2017

12-year Product materials and workmanship quality warranty

Output power		
The 1st year	The 12th year	The 25th year
≥98.00%	≥91.95%	≥84.80%

CAUTION: The electrical parameters in this product datasheet do not refer to only one module. Read safety and installation instructions before using the product. The contents of this specification are for reference only and are subject to change without notice. Jinery reserves the right of final interpretation. JNM-20220822-10.0P © 2022 JINNING CLEAN ENERGY TECHNOLOGY LTD. ALL RIGHTS RESERVED.

